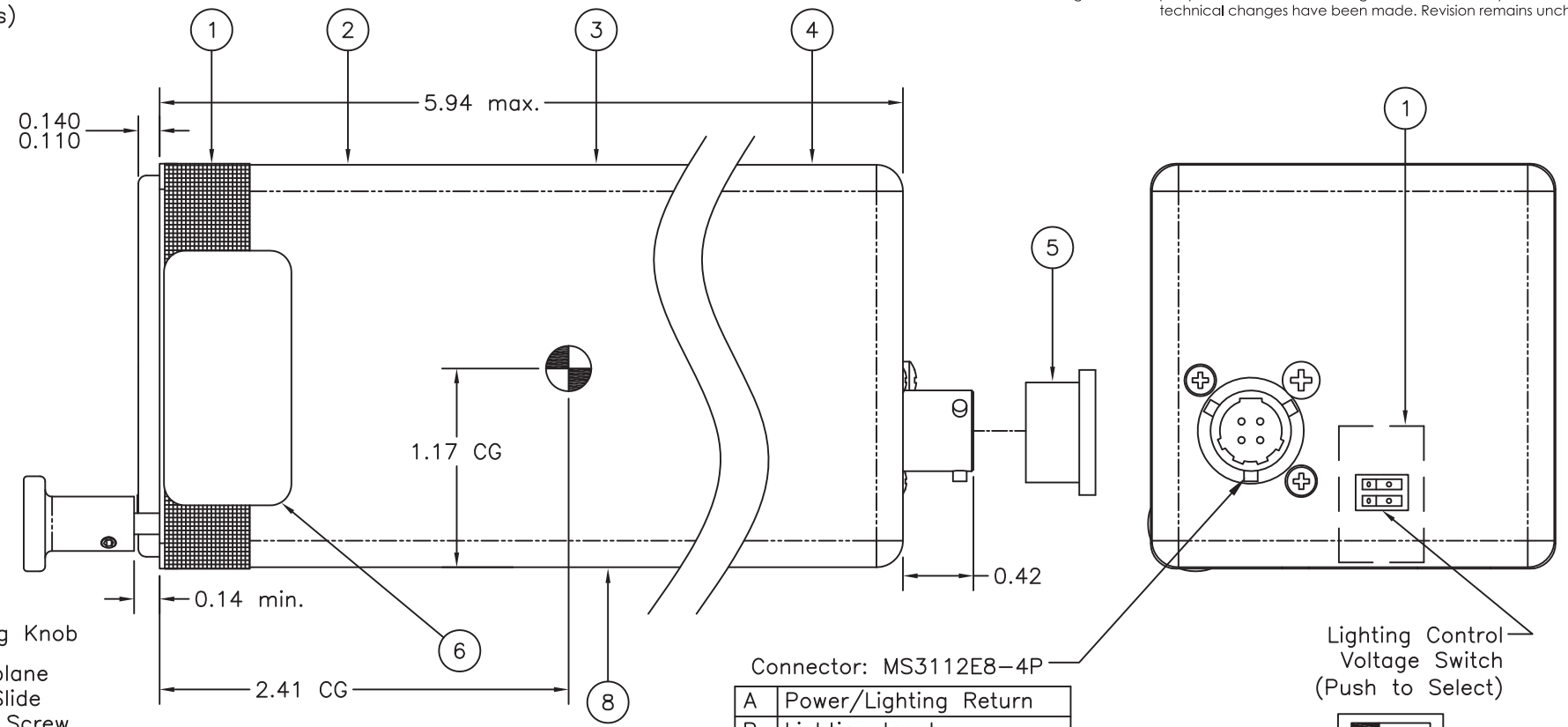
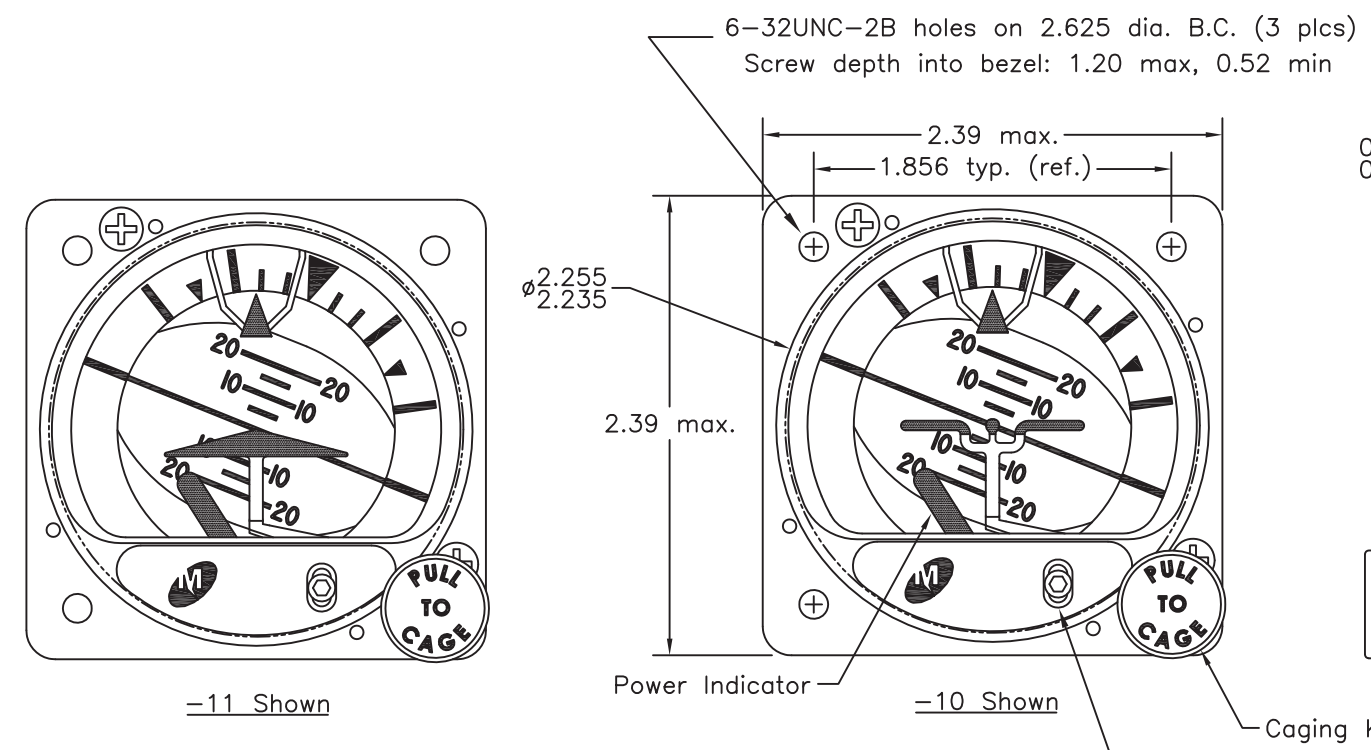


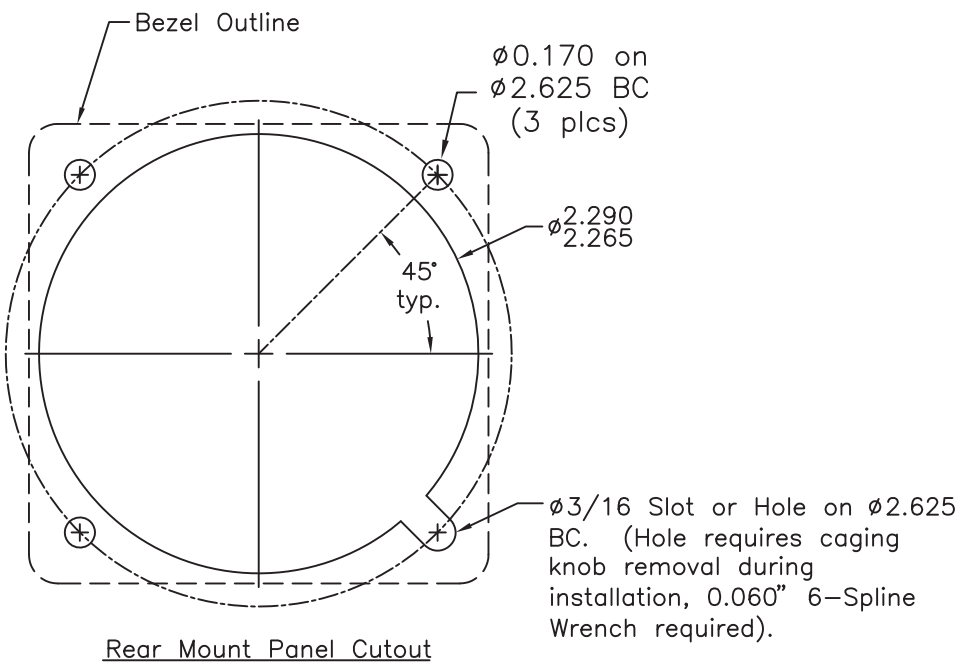
Configuration		
Dash #	Symbolic Airplane	Indicator Assy
-10	Traditional	9016154-10
-11	Delta	9016154-11

Revisions				
ECO	Rev.	Description	Date	Approved
	1	Initial Release.	4/10/05	JBR/BAW
	A	Production Release. Change numerous items.	8/23/05	JBR/BAW
4535	B	Update Current Rating: 1.4A was 1.2A, 0.37-0.51A was 0.35A±15%, 0.18-0.25A was 0.18A±15%.	2/3/06	JBR/BAW
5056	C	Update RTCA DO-160 HIRF qualification from [WW] to [WF] and lightning from [A3C3] to [A3H33]. Add note 2.	7/30/08	MKN/NL

Logo and company name have been changed in title block only. No functional or technical changes have been made. Revision remains unchanged.



Specifications	
Power Input	10 to 32 VDC
Current Rating	At 13.75 VDC Start: 1.4A Max Run: 0.37-0.51A At 27.5 VDC Start: 0.6A Max Run: 0.18-0.25A
Lighting	Internal White LED. Lighting control voltage is selectable for 5V, 14V or 28V DC.
Panel Tilt	0° to 20°, set to customer requirements.
Weight	1.6 lbs.
MTBF	2500 hours
	FAA TSO-C4c
Qualification Tests	RTCA DO-160D Environmental Category C1BABXXXXXXZZA[ZWF]M[A3H33]XA
Temperature	-30°C to +70°C Operating
Altitude	-1000 to +35,000 Ft. 41,000 Ft Decompression
Connector	MS3112E8-4P
Mating Connector	MS3116F8-4S or equivalent (P/N 9015514)
Color	Index Marks and Text: White Dial Background: Blue (top half)/Brown (bottom half) Roll Pointer & Symbolic Airplane: Orange Bezel: Black Power Indicator: Red
Display Configuration	Dials As Shown: Rotating roll dial/fixed roll pointer. Symbolic Airplane: Delta or Traditional configuration.
Cover Glass	HEA (Anti-Reflective) Coated



- Note:
- 1) Bezel/Cover seam and lighting voltage switch shall be covered with acetate tape for dust protection.
 - 2) Modification Status:
MOD 1: N/A
MOD 2: updated RTCA DO-160 HIRF and lightning qualifications

UNLESS OTHERWISE SPECIFIED, ALL DIMENSIONS ARE IN INCHES.
TOLERANCE:
FRACTIONAL=±1/64
.XX=±0.015
.XXX=±0.005
.XXXX=±0.002
ANGULAR=±0.5°
CONCENTRICITY: 0.005 TIR
BREAK ALL SHARP EDGES
THREADS PER MIL-S-7742

DRAWN:
J. Reed
4/10/05
APPROVED:
BAW
4/11/05

This document discloses proprietary information of Mid-Continent Instrument Co. It may be reproduced or disclosed only with written permission of Mid-Continent Instrument Co. and is not to be used in any way detrimental to the interests of Mid-Continent Instrument Co.



Item	Qty	Part Number	Description
1	A/R	8017360	Tape, Acetate
2	1	6018865	Decal, Caution
3	1	9016156-1	Nameplate
4	1	9016157-1	Decal, Tilt/Ltg
5	1	8012486-10YF	Cover, Connector
6	1	6018956	Decal, Warranty
7	1	9015514	Mating Connector
8	1	See Config.	Attitude Indicator Assy

TITLE: Attitude Indicator, Electric
PART NUMBER: 4200-1()
SCALE: None
DO NOT SCALE THIS DRAWING
SHEET 1 of 1